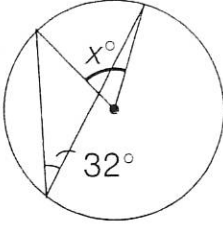
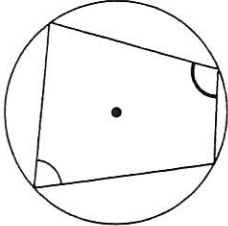
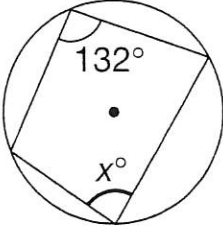
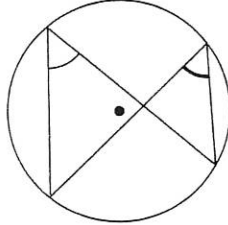
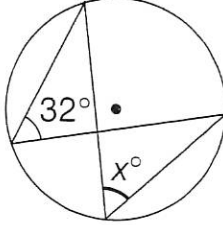
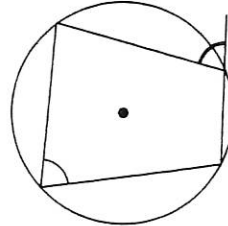
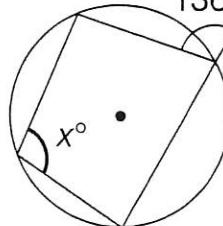
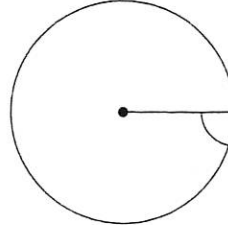
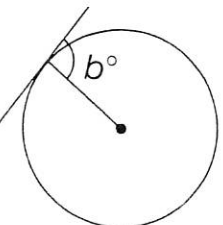
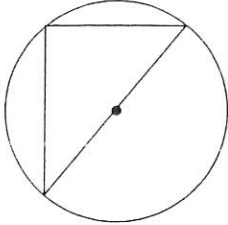
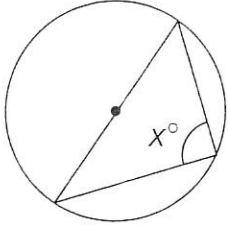
 <p>Diagram</p>	<p>Angle at centre = 2 x angle at circumference</p>	<p>Example</p> 	<p>Answer $x = 64$</p> <div style="border: 1px solid black; padding: 5px; width: fit-content; margin: 10px auto;"> <p>\angle at centre = 2\angle at circumference</p> </div>
---	---	---	---

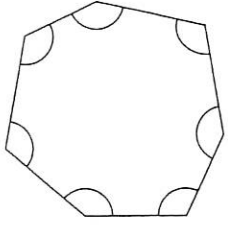
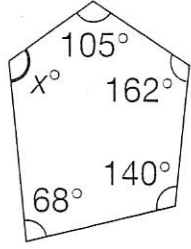
 <p>Diagram</p>	<p>Opposite angles of a cyclic quadrilateral add to 180°</p>	<p>Example</p> 	<p>Answer $x + 132 = 180$</p> <div style="border: 1px solid black; padding: 5px; width: fit-content; margin: 10px auto;"> <p>Opp. \angle's on cyclic quadrilateral</p> </div> <p>$x = 48$</p>
--	--	---	--

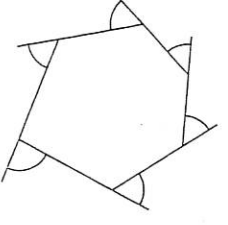
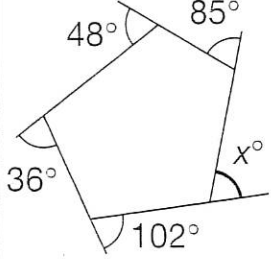
 <p>Diagram</p>	<p>Angles on the same arc are equal</p>	<p>Example</p> 	<p>Answer $x = 32$</p> <div style="border: 1px solid black; padding: 5px; width: fit-content; margin: 10px auto;"> <p>\angle's on same arc are equal</p> </div>
---	---	--	---

 <p>Diagram</p>	<p>Exterior angle of cyclic quadrilateral equals opposite interior angle</p>	<p>Example</p> 	<p>Answer $x = 136$</p> <div style="border: 1px solid black; padding: 5px; width: fit-content; margin: 10px auto;"> <p>Opp. interior \angle of cyclic quadrilateral = opposite exterior \angle</p> </div>
--	--	---	--

 <p>Diagram</p>	<p>Angle between radius and tangent is 90°</p>	<p>Example</p> 	<p>Answer $b = 90$</p> <div style="border: 1px solid black; padding: 5px; width: fit-content; margin: 10px auto;"> <p>Tangent \perp radius</p> </div>
--	--	---	---

 <p>Diagram</p>	<p>Angle in a semi-circle is a right angle</p>	<p>Example</p> 	<p>Answer</p> $x = 90$ <div style="border: 1px solid black; padding: 5px; width: fit-content; margin: 10px auto;"> \angle in a semicircle </div>
--	--	---	---

 <p>Diagram</p>	<p>Angles of an n-sided polygon add to $(n - 2) \times 180^\circ$</p>	<p>Example</p> 	<p>Answer</p> $x + 105 + 162 + 140 + 68 = 540$ <div style="border: 1px solid black; padding: 5px; width: fit-content; margin: 10px auto;"> \angle's of five-sided polygon add to $3 \times 180^\circ$ </div> $x + 475 = 540$ $x = 65$
--	---	--	--

 <p>Diagram</p>	<p>Exterior angles of an n-sided polygon add to 360°</p>	<p>Example</p> 	<p>Answer</p> $x + 85 + 48 + 36 + 102 = 360$ <div style="border: 1px solid black; padding: 5px; width: fit-content; margin: 10px auto;"> Ext. angles of polygon add to 360° </div> $x + 271 = 360$ $x = 89$
--	---	---	--