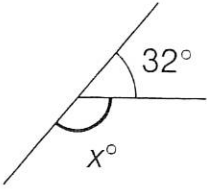
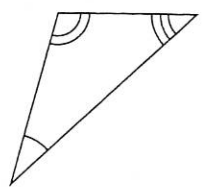
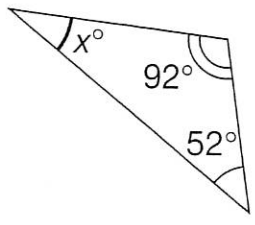
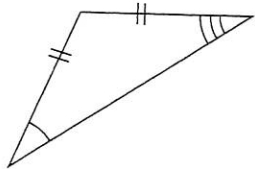
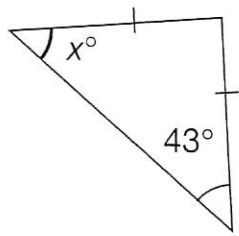
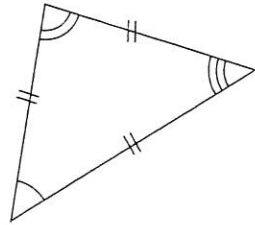
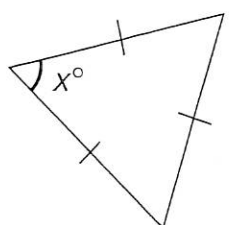
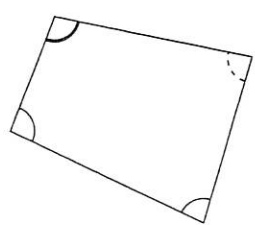
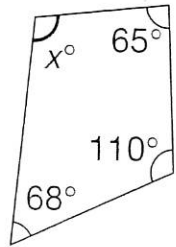
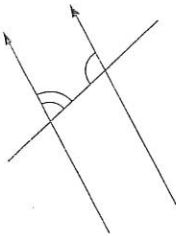
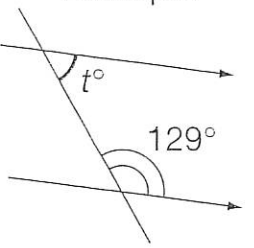
 <p>Diagram</p>	<p>Adjacent angles on a straight line add to 180°</p>	<p>Example</p> 	<p>Answer</p> $x + 32 = 180$ <div style="border: 1px solid black; padding: 5px; width: fit-content; margin: 5px auto;">Sum \angle on a line</div> $x = 148$
---	---	---	--

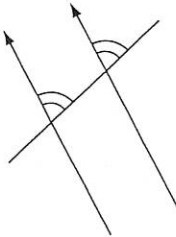
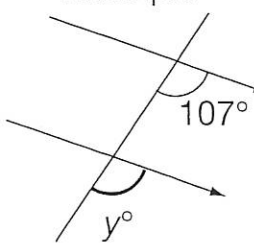
 <p>Diagram</p>	<p>Angles of a triangle add to 180°</p>	<p>Example</p> 	<p>Answer</p> $x + 52 + 92 = 180$ <div style="border: 1px solid black; padding: 5px; width: fit-content; margin: 5px auto;">Angle sum triangle</div> $x + 144 = 180$ $x = 36$
--	---	---	---

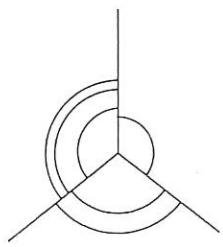
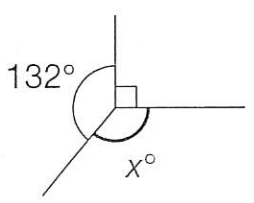
 <p>Diagram</p>	<p>Base angles of an isosceles triangle are equal</p>	<p>Example</p> 	<p>Answer</p> $x = 43$ <div style="border: 1px solid black; padding: 5px; width: fit-content; margin: 5px auto;">Base \angle isosceles Δ equal</div>
---	---	--	---

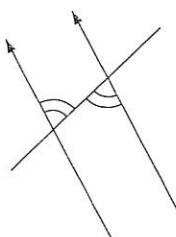
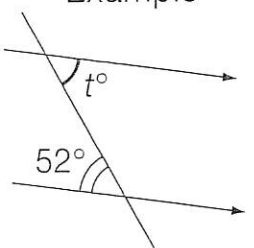
 <p>Diagram</p>	<p>Angles of an equilateral triangle are equal</p>	<p>Example</p> 	<p>Answer</p> $x = 60$ <div style="border: 1px solid black; padding: 5px; width: fit-content; margin: 5px auto;">\angle's equilateral Δ equal</div>
--	--	---	--

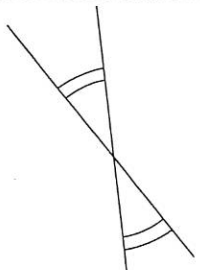
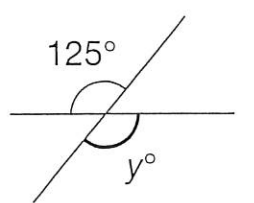
 <p>Diagram</p>	<p>Angles of a quadrilateral add to 360°</p>	<p>Example</p> 	<p>Answer</p> $x + 65 + 110 + 68 = 360$ <div style="border: 1px solid black; padding: 5px; width: fit-content; margin: 5px auto;">\angle's of quad add to 360°</div> $x + 243 = 360$ $x = 117$
--	--	---	---

 <p>Diagram</p>	<p>Cointerior angles between parallel lines add to 180°</p>	<p>Example</p> 	<p>Answer</p> $t = 180 - 129$ <div style="border: 1px solid black; padding: 5px; margin: 5px 0;"> <p>Coint. \angle // lines add to 180°</p> </div> $t = 51$
--	---	---	--

 <p>Diagram</p>	<p>Corresponding angles on parallel lines are equal</p>	<p>Example</p> 	<p>Answer</p> $y = 107$ <div style="border: 1px solid black; padding: 5px; margin: 5px 0;"> <p>Corresp. \angle on // lines equal</p> </div>
--	---	---	--

 <p>Diagram</p>	<p>Angles at a point add to 360°</p>	<p>Example</p> 	<p>Answer</p> $x + 132 + 90 = 360$ <div style="border: 1px solid black; padding: 5px; margin: 5px 0;"> <p>Sum \angle at a pt</p> </div> $x + 222 = 360$ $x = 138$
---	--	--	--

 <p>Diagram</p>	<p>Alternate angles between parallel lines are equal</p>	<p>Example</p> 	<p>Answer</p> $t = 52$ <div style="border: 1px solid black; padding: 5px; margin: 5px 0;"> <p>Alt. \angle // lines are equal</p> </div>
--	--	---	--

 <p>Diagram</p>	<p>Vertically opposite angles are equal</p>	<p>Example</p> 	<p>Answer</p> $y = 125$ <div style="border: 1px solid black; padding: 5px; margin: 5px 0;"> <p>Vert. opp \angle equal</p> </div>
--	---	---	---